

1x25 W **Dimmable** LED driver with Active+/ActiveAhead functionality

25 W 220 – 240 VAC 50 – 60 Hz

- Fully automatic standalone setup with smart learning functionality
- Optimised presence detection, daylight harvesting and Constant Lumen Output (CLO) operation
- No programming, configuration, or external control wiring needed
- Suitable for class I and class II luminaires
- Optional strain relief for independent use outside of luminaire (LC1x30-SR)



## Functional Description

- Adjustable constant current output via external resistors: 350 mA (default) to 700 mA
- Hybrid dimming technique for high quality light
- Adaptive LED overload protection. Reduces output current if overload of 1 - 4 V is detected
- Full load recognition, open and short circuit protection
- ON level: fully automatic Constant Lumen Output. Dynamic operational area between ON level and energy saving level
- Occupancy timeout: 3.5 min, fadetime to energy saving level: 1.5 min
- Lighting experience in ActiveAhead according to predicted people flow
- Customization of luminaire parameters through use of Helvar Active+ mobile app (see User Guide)
- Inbuilt power supply for sensor use

## Mains Characteristics

Voltage range	198 VAC – 264 VAC
DC range	176 VDC - 280 VDC
starting voltage	> 190 VDC
Mains current at full load	0.13 A – 0.14 A
Frequency	0 / 50 Hz – 60 Hz
Stand-by power consumption	0.42 W
THD at full power	< 15 %
Leakage current to earth	< 0.7 mA
Tested surge protection	1 kV L-N, 2 kV L-GND (IEC 61000-4-5)
Tested fast transient protection	4 kV (IEC 61000-4-4)

## Insulation between circuits

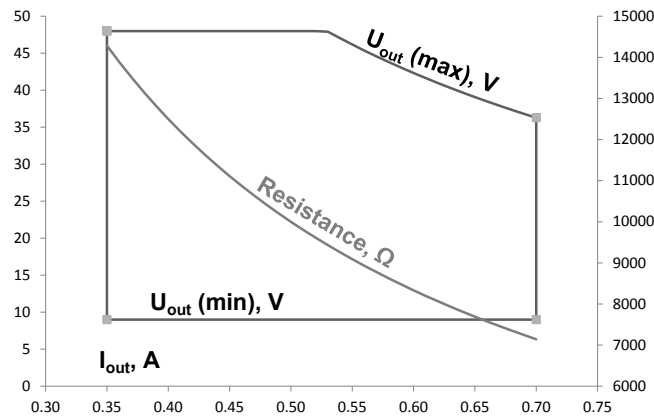
Mains circuit - SELV circuit	Double/reinforced insulation
------------------------------	------------------------------

## Load Output (SELV <60 V)

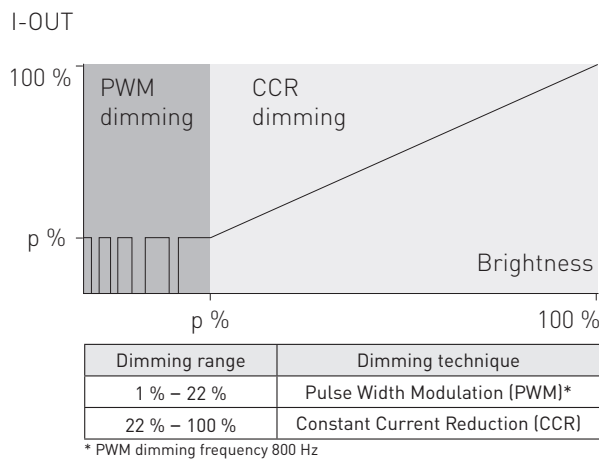
Output current ( $I_{out}$ )	350 mA (default) – 700 mA
Accuracy	± 5 %
Ripple	< ± 2 %*, at ≤ 120 Hz (Low frequency) < ± 25 %*, at > 20 kHz (High frequency)
*) LED load: Cree XM-L LEDs	
$U_{out}$ (max) (abnormal)	60 V

$I_{out}$	350 mA	700 mA
$P_{out}$ (max)	16.8 W	25.2 W
$U_{out}$	9 V – 48 V	9 V – 36 V
$\lambda$ at full power	0.91	0.95
Efficiency ( $\eta$ ), max load	0.86	0.87

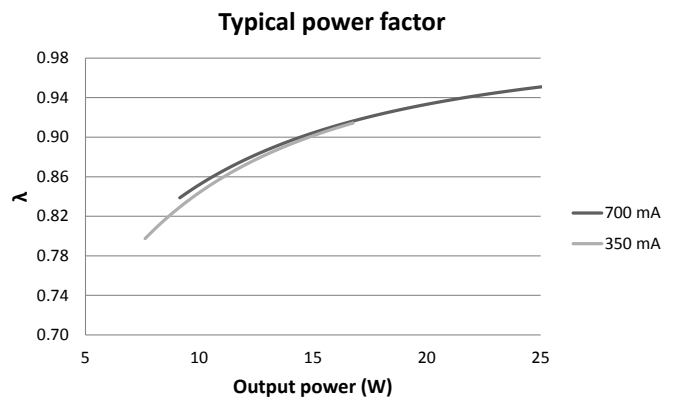
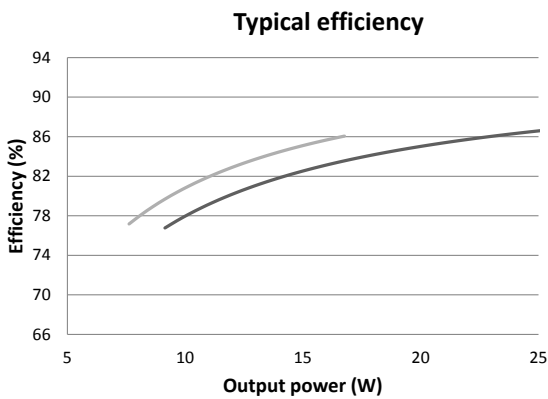
Operating window



Hybrid dimming technique in automatic dimming



Driver performance



Operating Conditions and Characteristics

- Highest allowed  $t_c$  point temperature: 75 °C
- Ambient temperature range: -20 °C ... +50 °C
- Storage temperature range: -40 °C ... +80 °C
- Maximum relative humidity: No condensation
- Life time (90 % survival rate): 100 000 h, at  $t_c = 65$  °C; 90 000 h, at  $t_c = 70$  °C; 60 000 h, at  $t_c = 75$  °C

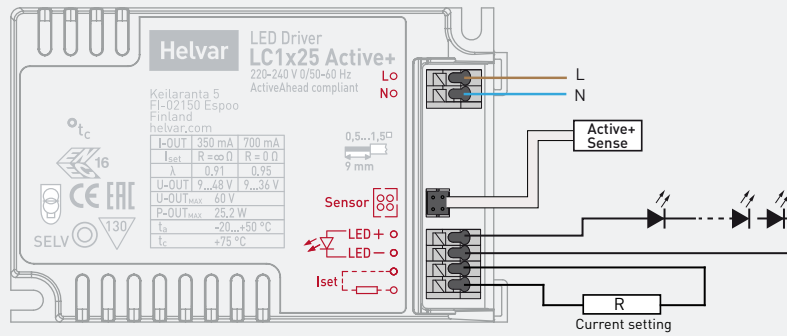
Quantity of drivers per miniature circuit breaker 16 A Type C

Based on $I_{cont}$	Based on $I_{peak}$	Typ.inrush current	1/2 value time, $\Delta t$	Calculated energy, $I_{peak}^2 \Delta t$
86 pcs.	86 pcs.	24 A	115 $\mu s$	0.048 A <sup>2</sup> s

## Connections and Mechanical Data

Wire size	0.5 mm <sup>2</sup> – 1.5 mm <sup>2</sup>
Wire type	Solid core and fine-stranded
Wire insulation	According to EN 60598
Maximum driver to LED wire length	5 m
Weight	117 g
IP rating	IP20

## Connections



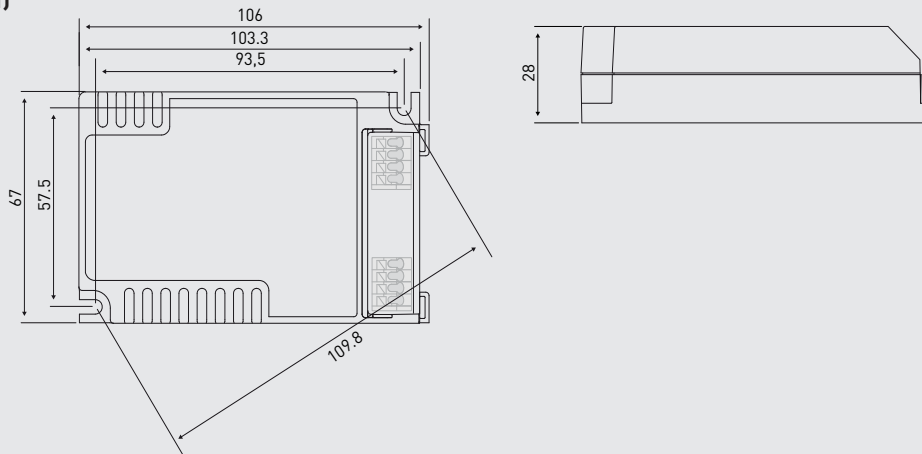
Note:

- Not suitable for load side switching operation.

## Available Iset resistor values (Nominal I<sub>out</sub> (±5 % tol.))

Resistor (Ω)	0	7680	8250	9090	10k	11k	12k4	Open
I <sub>out</sub> (mA)	700	651	606	550	500	454	403	350
SAP code	N/A	T77681	T78251	T79091	T70103	T70113	T71242	N/A

## Dimensions (mm)



LC1x25 Active+ LED driver is suited for inbuilt luminaire usage. In order to have safe and reliable LED driver operation, the LED luminaires will need to comply with the relevant standards and regulations (e.g. IEC/EN 60598-1). The LED luminaire shall be designed to adequately protect the LED driver from dust, moisture and pollution. The luminaire manufacturer is responsible for the correct choice and installation of the LED drivers according to the application and product datasheets. Operating conditions of the LED driver may never exceed the specification as per the product datasheet.

## Installation & operation

### Maximum $t_c$ temperature:

- Reliable operation and lifetime is only guaranteed if the maximum  $t_c$  point temperature is not exceeded under the conditions of use.
- Ensure that the  $t_c$  point temperature does not rise higher than specified on the product datasheets.

### Installation site:

- The general preferred installation position of LED drivers for independent use is to have the top cover facing upwards.

### Current setting resistor

LC1x25 Active+ LED driver features an adjustable constant current output.

- An external resistor can be inserted in to the current setting terminal, allowing the user to adjust the LED driver output current.
- When no external resistor is connected, then the LED drivers will operate at their default lowest current level.
- A standard through-hole resistor can be used for the current setting. To achieve the most accurate output current it is recommended to select a quality low tolerance resistor. Minimum diameter for resistor leg is 0.51mm.
- Resistor/current values are presented on page 3.

## Lamp failure functionality

### No load

When open load is detected, driver will go to standby. Automatic recovery is on during the first 10 minutes. If open load is still detected after the first 10 minutes, driver goes to standby mode and recovers through mains reset.

### Short circuit

When short circuit is detected, driver goes to standby mode and returns through mains reset.

### Overload

When high over load is detected, driver goes to standby mode and follows the same logic as described in the short circuit condition. When low over load is detected, output current will be reduced to have maximum rated output power.

### Underload

When under voltage is detected, driver goes to standby mode and returns through mains reset.

## Conformity & standards

General and safety requirements	EN61347-1: 2008+ A1:2011+A2:2013
Particular safety requirements for DC or AC supplied electronic control gear for LED modules	EN61347-2-13: 2014
Thermal protection class	EN61347, C5e
Mains current harmonics	EN61000-3-2: 2014
Limits for voltage fluctuations and flicker	EN61000-3-3: 2013
Radio frequency interference	EN55015: 2013
Immunity standard	EN61547: 2009
Performance requirements	EN62384: 2006+ A1:2009
Independent usage acc. to relevant clauses of	EN60598-1 : 2015
Compliant with relevant EU directives	
ENEC and CE marked	

Company Address:  
**Helvar Oy Ab**  
 Keilaranta 5  
 FI-02150, Espoo